



an EnerSys company

## TECHNICAL ADVISORY BULLETIN

### Remote Line Power – Specialized Downconverter Applications

Date: March 5, 2020

Model #: **LPR48-300 Output Cable**

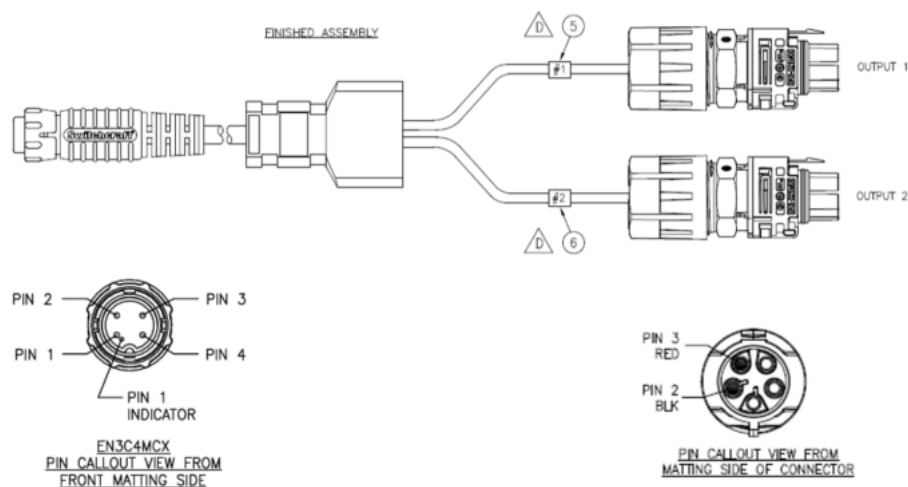
Part #: 8701111-001 LPR48-300 Output Y-Cable Assembly

#### Issue

In some remote line power applications, the LPR48-300 could energize up to two discrete loads. The standard output cable offers weatherproof protection for a single load connection only.

#### Corrective Action

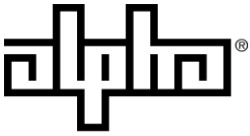
A new cable assembly, 8701111-001 LPR48-300 Output Y-Cable Assembly, has been developed to provide for ease of installation in these applications (see Figure 1 below).



**Figure 1 8701111-001 LPR48-300 Y-Cable Assembly**

#### Application: Powering Discrete Loads

The 8700899-00x LPR48-150 Output Cables can be used in conjunction with the 8701111-001 “Y” Splitter Output Cable Assembly and an Alpha LPR48-300 Downconverter to (1) deliver 300 Watts to a single load or (2) to split the output of the downconverter between two discrete loads as shown in Figure 1.



an EnerSys company

When the 8700899-00x assembly is connected to the Y Splitter Cable Assembly, PIN 4 and PIN 5 are not used. Table 1 shows this wiring configuration.

TABLE 1 8700899-00x LPR48-150 Wiring Direct Connection to 8701111-001 Y Splitter Cable Assembly			
Output	PIN	Wire Color	Circuit Designation
DC Power – Negative	PIN 2	Black	-48V
DC Power – Positive	PIN 3	Red	48V_RTN
No Connection	PIN 4	Green	Not Used
No Connection	PIN 5	White	Not Used

Table 2 shows the Y Splitter Cable Assembly wiring detail and how the Y Splitter Cable outputs connect to the pins in the 8700899-00x assembly.

Table 2 8701111-001 "Y" Splitter Cable Assembly Wiring Table				
EN3C4MCX	4 Conductor Wire Color	2 Conductor Wire Color	Output 1	Output 2
PIN 1	Black	Black	PIN 2	---
PIN 2	White	Red	PIN 3	---
PIN 3	Green	Green	---	PIN 2
PIN 4	Red	White	---	PIN 3

Figure 2 shows an LPR48-300 Downconverter connected to a Y Splitter Cable Assembly and two (2) 8700899-00x Output Cable Assemblies.

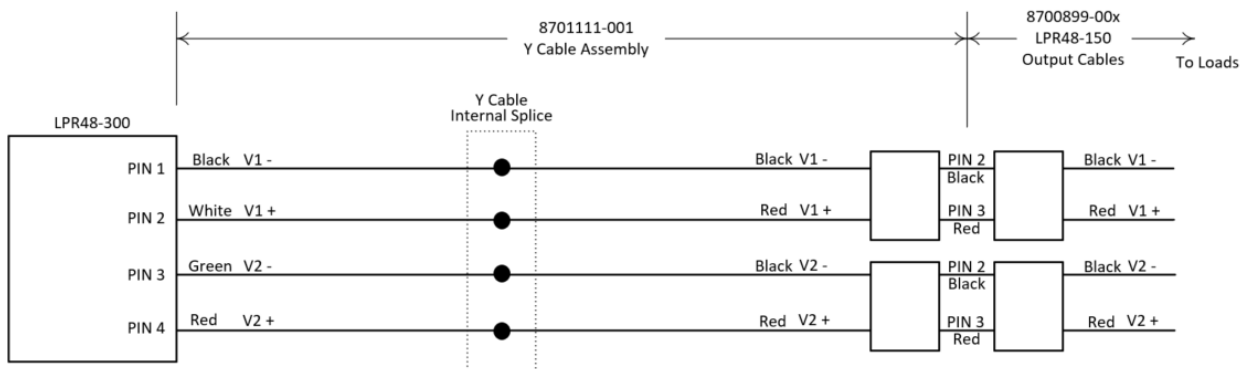


Figure 2 LPR48-300 Equipped with "Y" Splitter Cable Assembly and two 8700899-00x Output Cable Assemblies



an EnerSys company

For additional assistance or if you have any questions regarding this notification, please contact Alpha Technical Support at 1-888-462-7487 or [www.alpha.ca/report-a-problem](http://www.alpha.ca/report-a-problem).

Sincerely,

David Veraguth  
Sr. Technical Support Representative  
Alpha Technologies Ltd.  
[David.Veraguth@alpha.ca](mailto:David.Veraguth@alpha.ca)

Satheesh Hariharan  
Sr. Product Manager, Outside Plant Solutions  
Alpha Technologies Ltd.  
[Satheesh.Hariharan@alpha.ca](mailto:Satheesh.Hariharan@alpha.ca)

For assistance, contact Alpha Technical Support:  
Toll Free North America: 1-888-462-7487  
International: +1-604-436-5547  
Monday - Friday, 7:00 AM - 5:00 PM PST for regular inquires  
24/7 for emergency support  
**[Click here to report a problem](#)**