



an EnerSys company

TECHNICAL ADVISORY BULLETIN

Remote Line Power – Specialized Downconverter Applications

Date: March 5, 2020

Model #: **LPR48-150-IP68 Output Cable**

Part #: 8700899-00x LPR48-150 Output Cable

Issue

In some remote line power applications, the standard output cable length of 6ft may not be enough to connect the Downconverter to the load. The reason is that the Downconverter could be installed in a hand-hole, strand or pole which in some cases could be 100ft away from the load.

Corrective Action

A new cable assembly, 8700899-00x LPR48-150-IP68 Output Cable Assembly, has been developed to provide for ease of installation in these applications. This new assembly is offered in two additional cable lengths of 50ft and 100ft (see table below).

8700899-00x LPR48-150 Output Cable Assembly

TABLE 1 LPR48-150 Output Cables	
Item	Length
8700899-001	6 feet (standard)
8700899-002	50 feet
8700899-003	100 feet

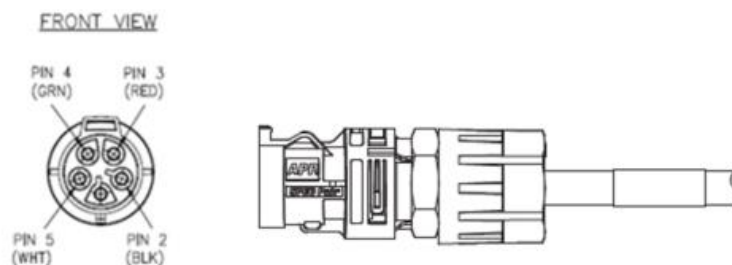


Figure 1 8700899-00x Output Cable Assembly



an EnerSys company

Application: Weatherproof Connections

The 8700899-00x LPR48-150 Output Cable Assembly provides an IP68 weatherproof connection when connected directly to the output of an Alpha LPR48-150-IP68 downconverter. Table 2 shows the wiring details that apply to the pre-connectorized LPR48-150, 8700899-00x output cable. Figure 2 shows the connection between the LPR48-150 Downconverter and the 8700899-00x LPR48-150 Output Cable Assembly:

TABLE 2 8700899-00x LPR48-150 Wiring Direct Connection to LPR48-150-IP68 Downconverter			
Output	PIN	Wire Color	Circuit Designation
DC Power – Negative	PIN 2	Black	-48V
DC Power – Positive	PIN 3	Red	48V_RTN
Alarm Relay	PIN 4	Green	K1_COMMON
Alarm Relay	PIN 5	White	K1_NO

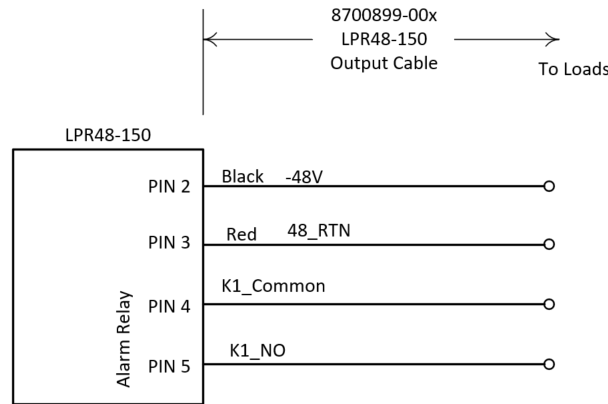
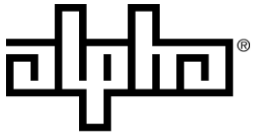


Figure 2 LPR48-150 and Output Cable Connections

For additional assistance or if you have any questions regarding this notification, please contact Alpha Technical Support at 1-888-462-7487 or www.alpha.ca/report-a-problem.



an EnerSys company

Sincerely,

David Veraguth
Sr. Technical Support Representative
Alpha Technologies Ltd.
David.Veraguth@alpha.ca

Satheesh Hariharan
Sr. Product Manager, Outside Plant Solutions
Alpha Technologies Ltd.
Satheesh.Hariharan@alpha.ca

For assistance, contact Alpha Technical Support:
Toll Free North America: 1-888-462-7487
International: +1-604-436-5547
Monday - Friday, 7:00 AM - 5:00 PM PST for regular inquires
24/7 for emergency support
[Click here to report a problem](#)