

an EnerSys company

TECHNICAL ADVISORY BULLETIN

Remote Line Power – Specialized Downconverter Applications

Date: March 5, 2020

Model #: **Utility Disconnect Switch (Emergency Power Off – EPO)**

Part #: 7400865-XXX LPR Disconnect Box

Issue

In some remote line power applications, the utility companies may require an Emergency Power Off (EPO) switch that will shut down power to all connected loads at the output of the Downconverter.

Corrective Action

An EPO switch assembly, 7400865-XXX LPR Disconnect Box, has been developed to provide for ease of installation in these applications. The EPO assembly is an integrated solution with the LPRs and is sold as a complete kit.

Application: EPO Connections

The output of one or two downconverters may be routed through a four-pole Emergency Power Off (EPO) disconnect switch before being routed to multiple discrete loads. The following diagrams depict the various possibilities for those applications. Figure 1 illustrates a single downconverter configuration serving two loads while Figure 2 shows two LPR48-300 downconverters serving up to four independent loads. Figure 3 shows one LPR48-300 downconverter paired with an LPR48-150 downconverter serving up to three loads.

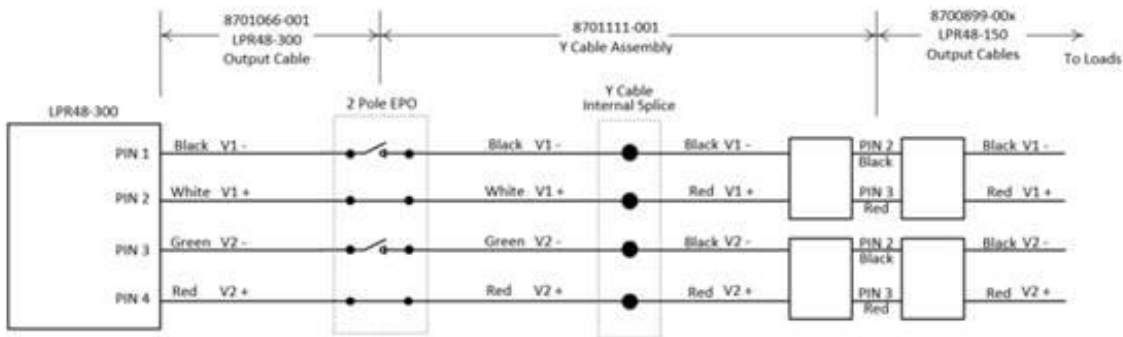


Figure 1 LPR48-300 Equipped with EPO, "Y" Cable Assembly, & 8700899-00x Output Cables



an EnerSys company

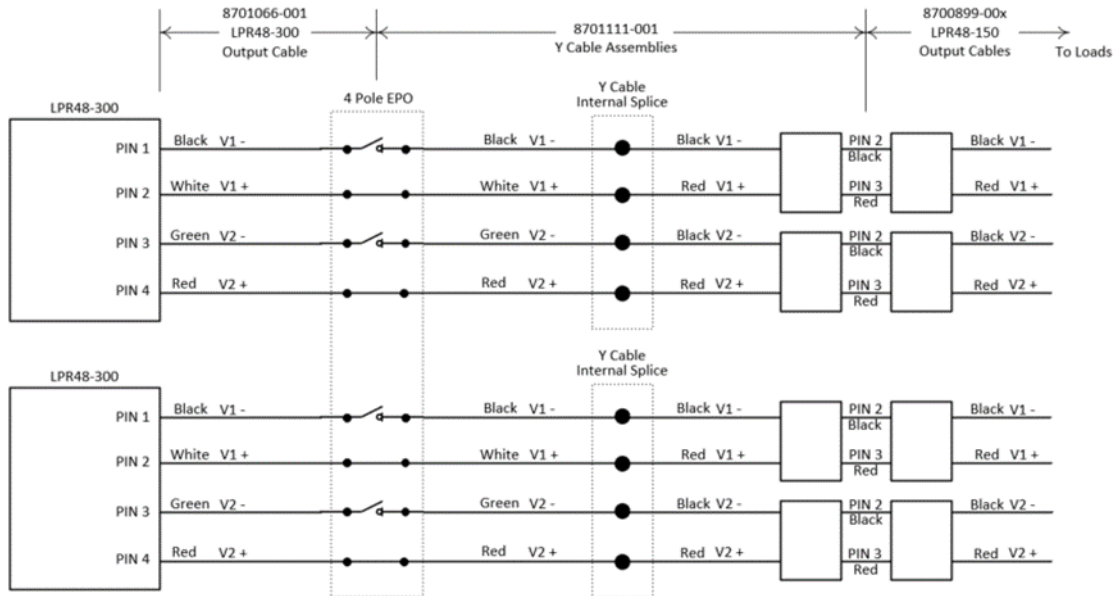


Figure 2 Dual LPR48-300 Downconverters, EPO, Dual "Y" Cable Assemblies & 8700899-00x Output Cables

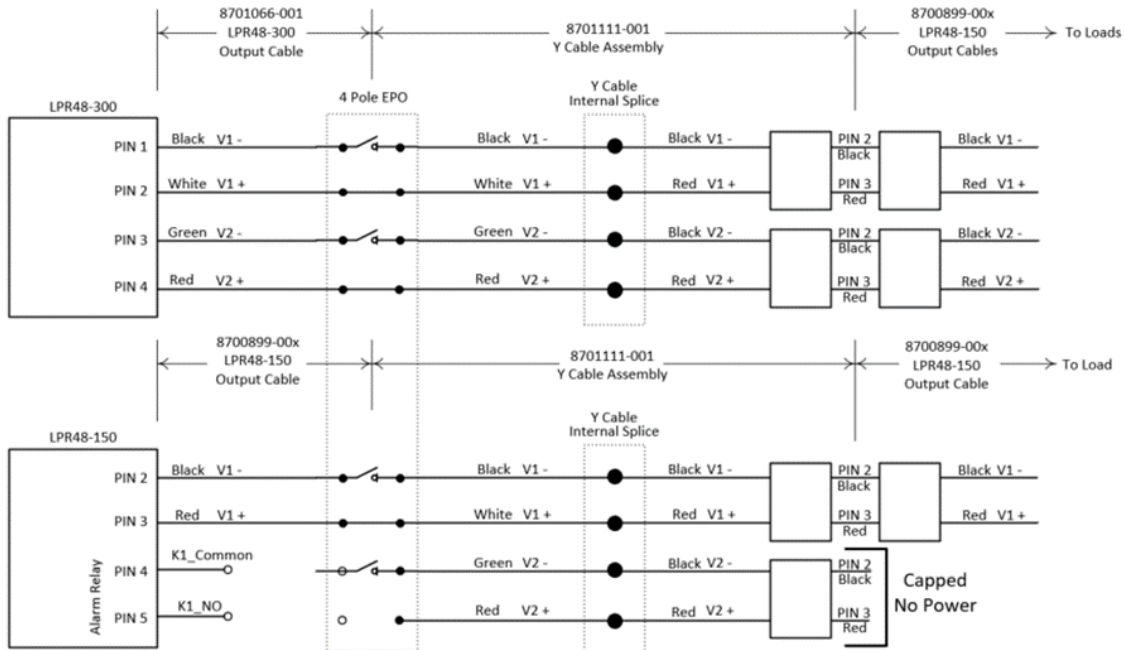


Figure 3 LPR48-300, LPR48-150, EPO, Dual "Y" Cable Assemblies & 8700899-00x Cable Assemblies



an EnerSys company

For additional assistance or if you have any questions regarding this notification, please contact Alpha Technical Support at 1-888-462-7487 or www.alpha.ca/report-a-problem.

Sincerely,

David Veraguth
Sr. Technical Support Representative
Alpha Technologies Ltd.
David.Veraguth@alpha.ca

Satheesh Hariharan
Sr. Product Manager, Outside Plant Solutions
Alpha Technologies Ltd.
Satheesh.Hariharan@alpha.ca

For assistance, contact Alpha Technical Support:
Toll Free North America: 1-888-462-7487
International: +1-604-436-5547
Monday - Friday, 7:00 AM - 5:00 PM PST for regular inquires
24/7 for emergency support
[Click here to report a problem](#)