

AlphaGuard™ AG-CMT-3SC/4SC-P Product Overview & Installation Instructions

Features:

- Potted electronics for underground enclosures
- Patented technology extends battery life and improves capacity
- Delivers precise voltage required to maintain each battery's optimum charge
- Eliminates the need to replace entire string if one battery fails
- Spreads charge voltage equally across batteries – batteries no longer need to be matched
- Maintains battery voltage as they age
- Passes individual battery voltages to status monitoring equipment (*Models AG-CMT-3SC-P-C, AG-CMT-4SC-P-C*)



AG-CMT-3SC-P



AG-CMT-3SC-P-C

Charge Management Technology (CMT)

The AlphaGuard installs directly on top of one of the batteries in the string. A wire harness connects the AlphaGuard to each of the batteries in the string. 36V (3 battery) and 48V (4 battery) versions are available. One AlphaGuard is required per battery string. The AlphaGuard compensates for differences between individual batteries in the string. Communications modules can be configured to pass measurements from the battery string to a status monitoring device (EDSM card, DOCSIS transponder, etc.) via an interface cable.

Part Number	Model	Description
012-306-30	AG-CMT-3SC-P-C	AlphaGuard, manages 3 batteries (with sense wires)
012-306-32	AG-CMT-3SC-P	AlphaGuard, manages 3 batteries (without sense wires)
012-306-31	AG-CMT-4SC-P-C	AlphaGuard, manages 4 batteries (with sense wires)
012-306-33	AG-CMT-4SC-P	AlphaGuard, manages 4 batteries (without sense wires)

IMPORTANT SAFETY INSTRUCTIONS

SAVE THESE INSTRUCTIONS: This document contains important instructions that should be followed during installation.



WARNING!

- Before making connection to batteries, refer to the battery manufacturer's installation manual and maintenance instructions.
- Before making connection to a power supply, refer to the power supply manufacturer's installation instructions.



CAUTION!

Do not place the AlphaGuard in a location that allows it to fall between batteries.



CAUTION!

Standby power is not available while the batteries are disconnected.

AlphaGuard Wire Harness Installation:

1. Set the battery breaker to the OFF position.
2. Unplug the battery string(s) from the power supply.
3. Connect the AlphaGuard wire harness to the battery pack (see diagrams). Torque to battery manufacturer's recommendations.
4. Reconnect battery pack to the power supply, and set the BATTERY BREAKER to the ON position.
5. Verify status indicator LED is lit.



NOTE:

LED illuminates at 38.6V for 36V strings and 51.4V for 48V strings.

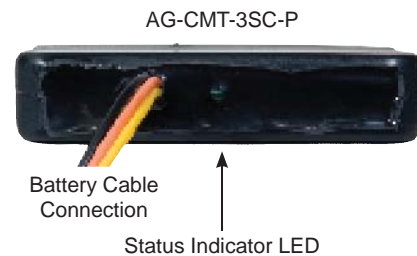
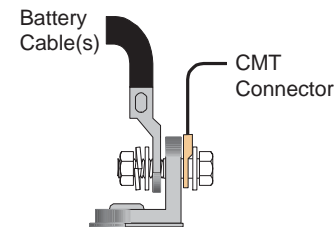
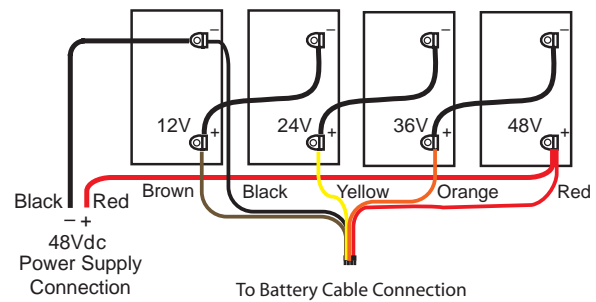
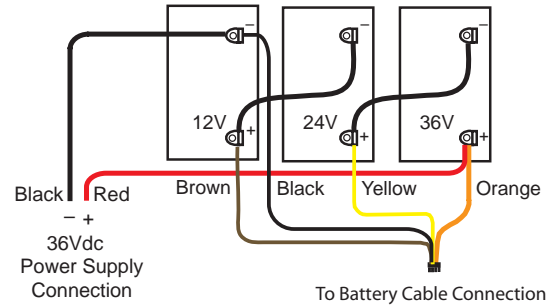


CAUTION!

When using the Battery Monitoring Cable with *XM Power Supply* and *external Alpha DOCSIS Transponder*, clip the black wire from the cable kit at both ends.

Connecting the AG-CMT (with sense wires):

1. Connect the Voltage Sense wires to one end of the interface cable (if used).
2. Connect the other end of the cable to the AUX connector on the front of the EDSM, or to the BATT connector on an external DOCSIS transponder.
3. Verify battery wire kit is properly connected.
4. Press and hold the STAT button on the EDSM until the RDY LED lights; when button is released, all LEDs will blink.
5. Verify Status Indicator LED on the AlphaGuard is on steady.



For more information visit www.alpha.com

United States
Canada

Bellingham, Washington Tel: 360 647 2360 Fax: 360 671 4936
Burnaby, British Columbia Tel: 604 430 1476 Fax: 604 430 8908

Alpha Technologies reserves the right to make changes to the products and information contained in this document without notice. Copyright © 2006 Alpha Technologies. All Rights Reserved. Alpha® is a registered trademark of Alpha Technologies. member of The Alpha Group™ is a trademark of Alpha Technologies. 012-306-C1-001 Rev. A (01/2007) To report errors in this document, send email to: Techpubs@alpha.com

member of The Group™