

Installation Instructions for Spacing Busbars Kit

Summary

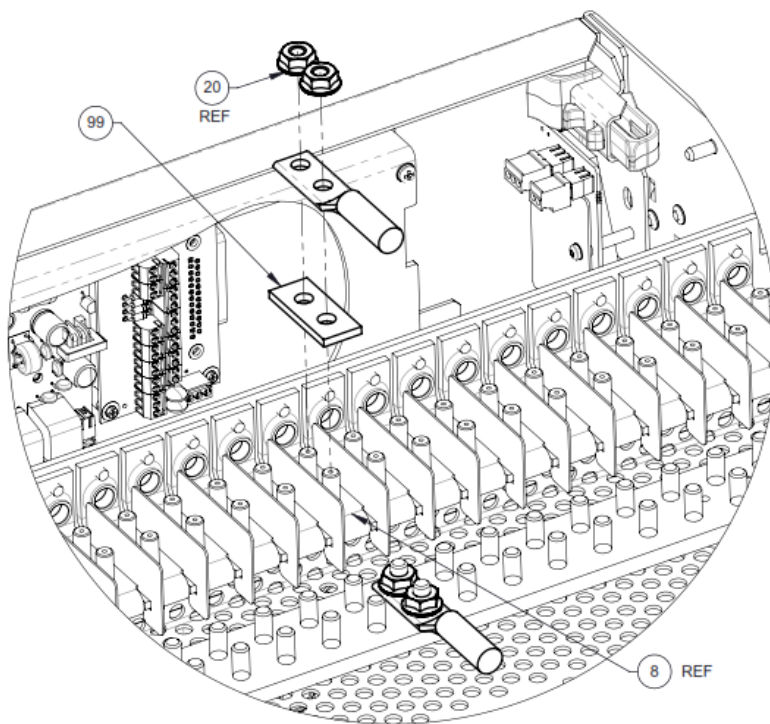
This procedure outlines how to install the 0380532-001 & 0380532-002 Spacing Busbar Kits on 26x and 21x input systems, respectively.

Equipment or Tools Necessary

- Electrical Safety Equipment
- 7/16" Socket Wrench (any drive size)
- Adjustable Torque Wrench

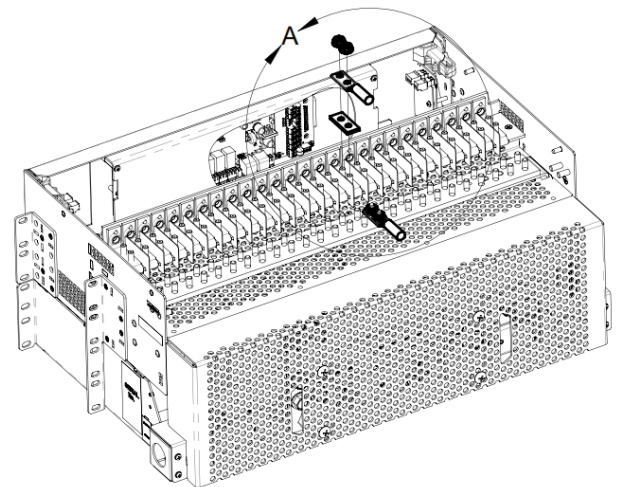
Procedure

1. Ensure system is completely powered down before starting work, including all AC and DC sources (including batteries).
2. Uninstall input load lug by removing 2x 1/4" lock nuts (item 20) with a 7/16" socket wrench from hot busbar (item 8). Save the lock nuts for reuse.
3. Install the spacing busbars (item 99) on top of hot busbars.
4. Replace input load lug and install 2x lock nuts, tightened to 62 in-lbs.
5. Repeat steps 1-4 for remaining positions (26x or 21x, dependent upon the system).



DETAIL A

0380532-001 - KIT, SPACING BUSBARS, 26X INPUTS
 0380532-002 - KIT, SPACING BUSBARS, 21X INPUTS





End of Method of Procedures

For assistance, contact Alpha Technical Support:

Toll Free North America: 1-888-462-7487

International: +1-604-436-5547

Monday - Friday, 7:00 AM - 5:00 PM PST for regular inquiries

24/7 for emergency support

[Click here to report a problem](#)